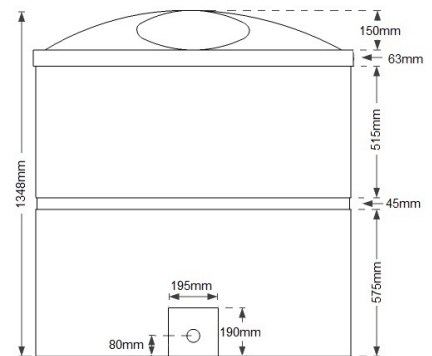
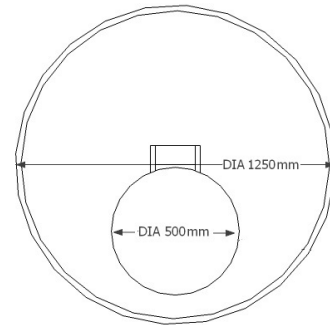
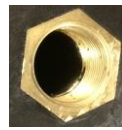


ECO1450BLK

Product description: cylindrical storage tank, suitable for internal or external use



Product Information

Height	Diameter	Lid	Weight	Outlet
1348mm	1250mm	500mm hinged	45kg	2" BSP

PRODUCT NOTES:

- Tank must be sited on a level, fully supportive base leaving a gap of at least 50mm from walls or other tanks
- Additional fittings can be added as and where required without compromising tank's structural integrity
- Outlet not drilled unless requested

Sizes approximate, owing to shrinkage
Specification subject to change; please call to confirm details

PRODUCT DETAILS:

- Made from virgin polymer
- Approximate wall thickness: 5-6mm
- 500mm hinged lid as standard
- 2" brass threaded outlet moulded into the tank

OPTIONAL EXTRAS:

- 1" threaded outlet, or moulded blank (no outlet)
- 14" or 16" screw-down lid (vented or non-vented)
- Brass tap
- Brass isolation valve with hose connector
- Tank connectors
- Ball cock and float valve
- Hasp and staple lock for hinged lid
- Stainless steel outlet

BENEFITS:

- Suitable for internal and external use
- Frost proof; will not crack in cold
- Value for money, high capacity storage
- Ideal for domestic or commercial water storage
- Robust, heavy duty product; industrial strength
- Opaque plastic reduces algae growth in sunlight
- Rotationally moulded for strength and durability
- 10 year warranty against manufacturing defects



Scan to view our full range
of water tanks



Etills Ltd,
Unit 1 Whiting Way,
Melbourn,
Royston,
SG8 6NA



Call 01763 261781