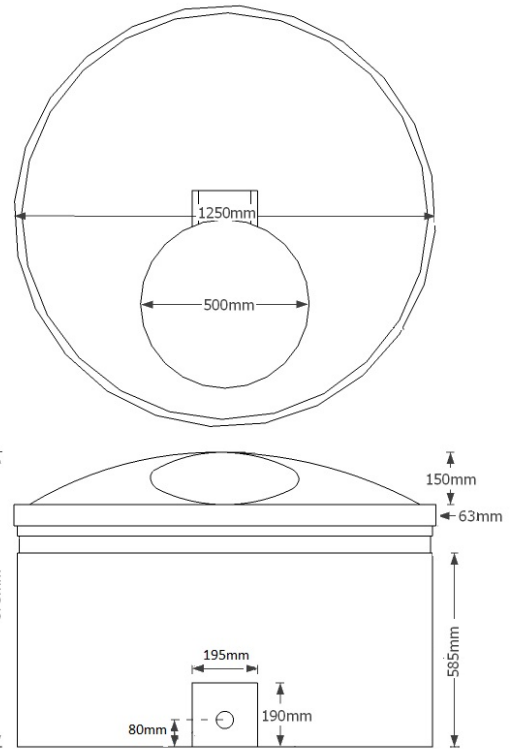
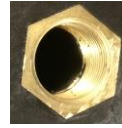


# ECO900BLK

Product description: cylindrical storage tank, suitable for internal or external use



Product Information				
Height	Diameter	Lid	Weight	Outlet
875mm	1250mm	500mm hinged	35kg	1", or 2", or blank

Sizes approximate, owing to shrinkage  
Specification subject to change; please call to confirm details

#### PRODUCT NOTES:

- Tank must be sited on a level, fully supportive base leaving a gap of at least 50mm from walls or other tanks
- Additional fittings can be added as and where required without compromising tank's structural integrity
- Outlet not drilled unless requested

#### PRODUCT DETAILS:

- Made from virgin polymer
- Approximate wall thickness: 6-7mm
- Hinged lid as standard
- 2" brass threaded outlet moulded into the tank

#### OPTIONAL EXTRAS:

- 1" outlet available on request
- 14" or 16" screw-down lid
- Brass tap
- Brass isolation valve with hose connector
- Tank connectors
- Ball cock and float valve

#### BENEFITS:

- Suitable for internal and external use
- Frost proof; will not crack in cold
- Value for money, high capacity storage
- Ideal for domestic or commercial water storage
- Robust, heavy duty product; industrial strength
- Opaque plastic reduces algae growth in sunlight
- Rotationally moulded for strength and durability
- 10 year warranty against manufacturing defects



Etills Ltd,  
Unit 1 Whiting Way,  
Melbourn,  
Royston,  
SG8 6NA



Call 01763 261781