

ECO3000INS

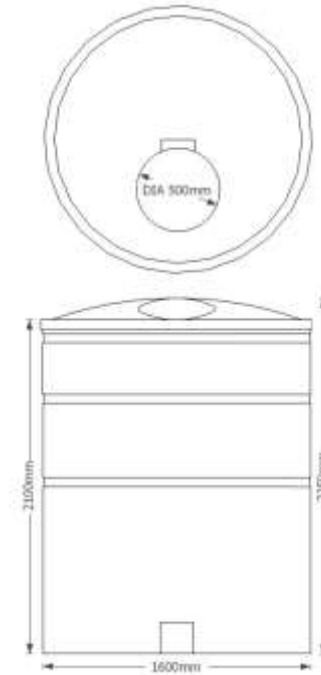
Product description: insulated cylindrical water tank



1" outlet shown



MADE IN BRITAIN



| Product Information | | | | |
|---------------------|----------|----------------|-----------------|---|
| Height | Diameter | Overall weight | Tank connection | Lid |
| 2250mm | 1600mm | 170kg | 2" BSP | 16" hinged outer 14" screwdown inner |

Sizes approximate, owing to shrinkage
Specification subject to change; please call to confirm details

PRODUCT NOTES:

- Always keep tank upright. Never roll or put on its side.
- Tank must be sited on a level, fully supporting base
- Ensure that all fittings are insulated

PRODUCT DETAILS:

- The perfect self-contained solution for the storage of non-potable water in harsh conditions
- Double wall construction
- SF19 SuperFOIL insulation
- 14" vented inner lid
- 2" brass threaded outlet as standard

OPTIONAL EXTRAS:

- Brass tap
- Brass isolation valve with hose connector
- Tank connectors
- 1" brass threaded outlet
- 1" stainless steel insert
- Hasp and staple for lid
- Colour options available

BENEFITS:

- Water is protected from external conditions
- Outer tank encapsulates and protects the insulation
- Covered bund prevents collection of rainwater & debris
- Opaque plastic reduces algae growth in sunlight
- Value for money integrated insulated water storage
- Cost effective alternative to insulated GRP/FRP water storage tanks
- Rugged construction
- Rotationally moulded for strength & durability
- 2 year warranty against manufacturing defects



Scan to view our full range of water tanks



Etills Ltd,
Unit 1
Whiting Way
Melbourn,
Royston,
SG8 6NA



Call 01763 261781

ECO3000INS

Product description: insulated cylindrical water tank

TECHNICAL DATA

Tanks

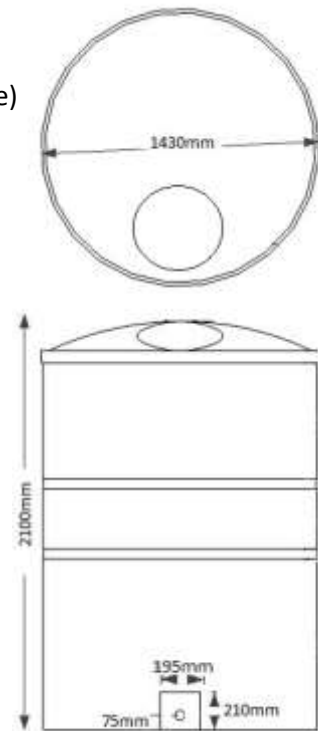
- Rotationally moulded from one or more of the following polymers:
 - ICORENE 1314/ 3560 (if coloured)
 - REVOLVE M-748 (black)/N307 (natural)
- Data sheets available
- 2" BSP brass threaded insert (1" brass and 1" stainless steel available)
- 16" hinged lid on outer housing; 14" inner screwdown lid

Inner tank dimensions:

| Capacity | Height | Diameter |
|-------------|--------|----------|
| 3000 Litres | 2100mm | 1430mm |

Insulation

- SF19 SuperFOIL
- Standard thickness 40mm
- BBA Agrément and LABC Registered System Approval
- BBA certified R value of 2.58.
- Dupont ultra efficient nano coating technology.
- SF19 SuperFOIL also acts as a radiant barrier to reflect excessive heat gain during the summer months as well as insulating throughout the year
- Water Vapour Resistance 1200MNs/g
- Resistance to water penetration W1
- Flexibility at low temp. -40c
- Tensile Properties - Length (After Ageing) 635 N/50mm
- Tensile Properties - Width (After Ageing) 580 N/50mm



Call 01763 261781