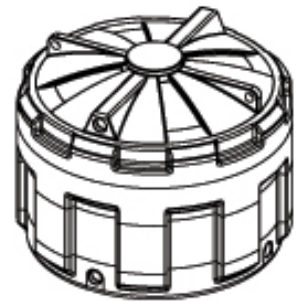
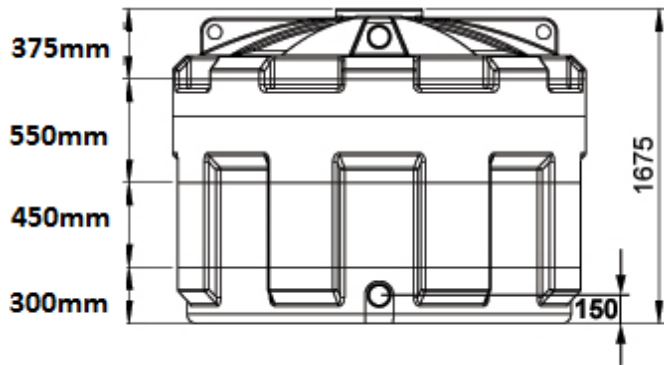


# ECO5000UND

Product description: underground 5000 water tank



## Product Information

Height	Diameter	Access	Weight	Outlet
1675mm	2150mm	455mm aperture	160kg	Multiple outlet positions to take up to 4" pipe

Sizes approximate, owing to shrinkage

### PRODUCT NOTES:

- Please ensure that the Installation Guidelines have been read and understood before commencing installation
- Only lift when empty
- If installed in a high water table or heavy clay soil, cylindrical underground water tanks must be fully encased in concrete
- Designed to take pedestrian traffic only; if required to carry vehicular traffic, a structural engineer's design is required
- Top of the tank must not finish any more than 500mm below ground level
- Without a structural engineer's design, tank must not be located adjacent to foundations, raised banks, patios or walls
- Pipe-falls should be a minimum of 2:100 in the direction of water-flow, i.e. rainwater pipe and service duct towards the tank and the overflow away from the tank

### PRODUCT DETAILS:

- Made from virgin polymer
- One piece mould for extra strength
- 500mm extended neck included; can be cut down
- Designed and manufactured in the UK

### OPTIONAL EXTRAS:

- Filter box
- Range of pumps
- Tank connectors
- MDPE pipe

### BENEFITS:

- Compatible with UK standard 4" (110mm) pipe fittings
- Lifting lugs for easy manoeuvring
- Connect multiple tanks together using 4" drainage pipe
- Rotationally moulded for strength and durability
- 10 year warranty against manufacturing defects



Scan to view our full range of water tanks



Etills Ltd,  
Unit 1 Whiting Way,  
Melbourn,  
Royston,  
SG8 6NA



Call 01763 261781