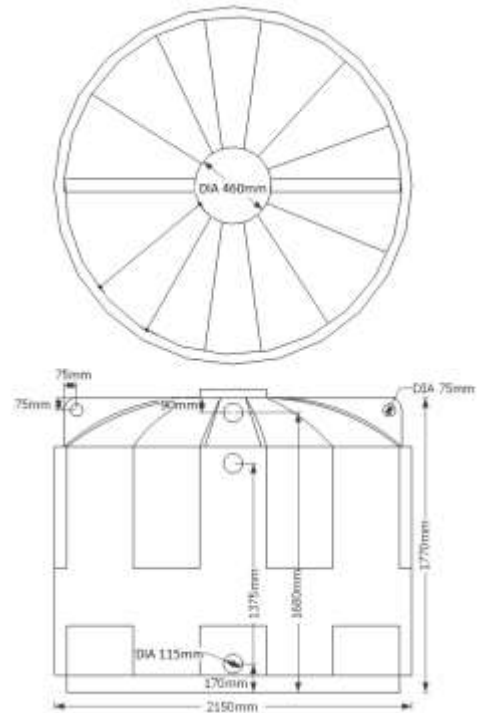


ECO5600UND

Product description: underground 5600 water tank



Product Information

Height	Diameter	Access	Weight	Outlet
1770mm	2150mm	455mm aperture	170kg	Multiple outlet positions to take up to 4" pipe

Sizes approximate, owing to shrinkage

PRODUCT NOTES:

- Please ensure that the Installation Guidelines have been read and understood before commencing installation
- Only lift when empty
- If installed in a high water table or heavy clay soil, cylindrical underground water tanks must be fully encased in concrete
- Designed to take pedestrian traffic only; if required to carry vehicular traffic, a structural engineer's design is required
- Top of the tank must not finish any more than 500mm below ground level
- Without a structural engineer's design, tank must not be located adjacent to foundations, raised banks, patios or walls
- Pipe-falls should be a minimum of 2:100 in the direction of water-flow, i.e. rainwater pipe and service duct towards the tank and the overflow away from the tank

PRODUCT DETAILS:

- Made from virgin polymer
- One piece mould for extra strength
- 500mm extended neck included; can be cut down
- Designed and manufactured in the UK

OPTIONAL EXTRAS:

- Filter box
- Range of pumps
- Tank connectors
- MDPE pipe

BENEFITS:

- Compatible with UK standard 4" (110mm) pipe fittings
- Lifting lugs for easy manoeuvring
- Connect multiple tanks together using 4" drainage pipe
- Rotationally moulded for strength and durability
- 10 year warranty against manufacturing defects



Etills Ltd,
Unit 1 Whiting Way,
Melbourn,
Royston,
SG8 6NA

Call 01763 261781